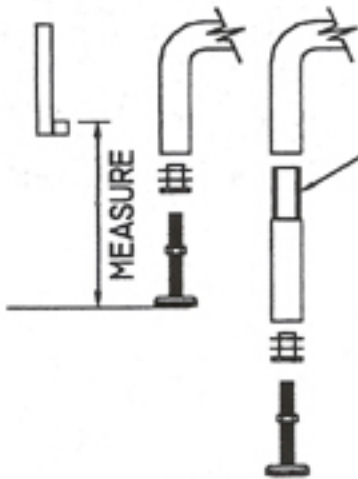


Step 1:
IMPORTANT: Determine the height of the Bed Rail to the Floor before installing the Inserts.

Once installed, they cannot be removed and must be replaced.



Step 2:
For heights over 12", install the Insert into the Extension, otherwise install the Insert into the Support.

Tap each section together until snug.

Screw the Adjustable Glides into each Insert.

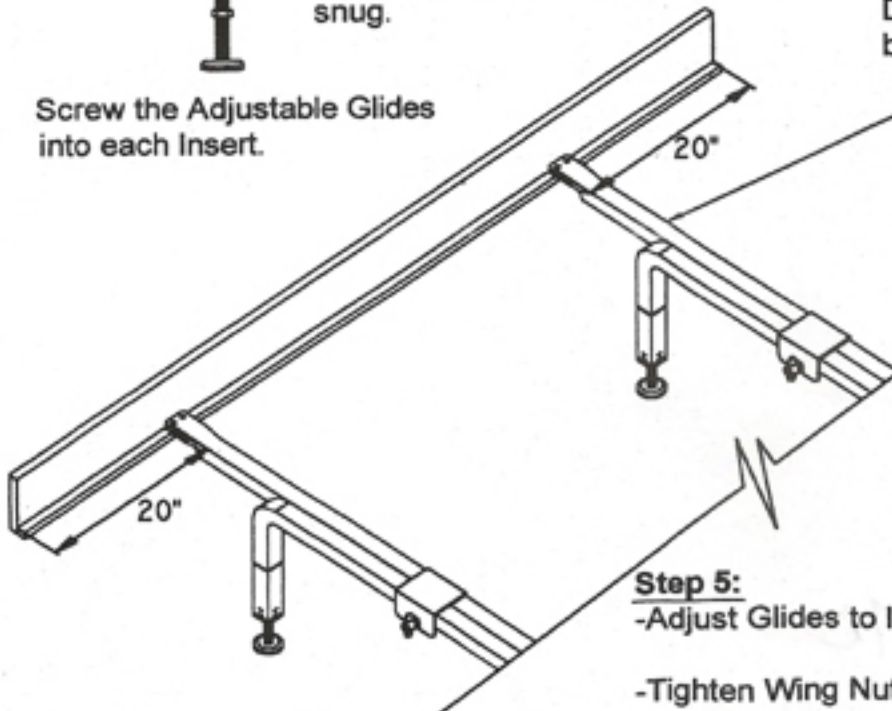
Step 3:
-Place U Clip over Left and Right Supports as shown.

-Put 2 1/2" Machine Bolt through the U Clip and secure with the Wing Nut.

Do not tighten until attached to the bed.

Step 4:
-Extend the two Support Assemblies until the Screw Tabs are flush with each Bed Rail and over each Support Cleat.

-Use 3/4" Screws to attach the Support Assemblies to the each Support Cleat.



Step 5:
-Adjust Glides to level the Supports.

-Tighten Wing Nuts on the U Clips.

